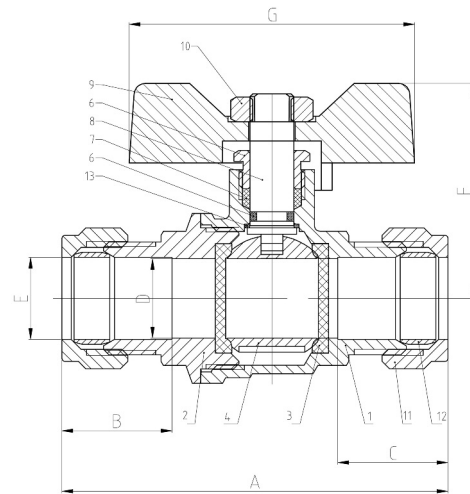


CP89TY

Brass Nickel Plated Full Bore Ball Valve c/w T-Handle



TECHNICAL DESCRIPTION

FUNCTION

Shut-Off

SIZE RANGE

15mm - 28mm

PRESSURE RATING

PN25

TEMPERATURE RANGE

-20°C ~ 120°C (Gas MOP 5 -20 °C ~ 60 °C)

BODY MARKING

DN, PN, Batch Date, CW617N

COLOUR

Handle: Yellow

APPROVALS

WRAS

Gas EN331:1998+A1:2010

MATERIAL CONSTRUCTION AND SPECIFICATION

- | | |
|-----------------------|---------------------------------------|
| 1. BODY: | CW617N Brass Nickel Plated |
| 2. BONNET: | CW617N Brass Nickel Plated |
| 3. SEAT: | PTFE |
| 4. BALL: | CW617N Brass Chrome Plated (Polished) |
| 5. STEM: | CW617N Brass Nickel Plated |
| 6. O-RING: | VITON |
| 7. PACKING: | PTFE |
| 8. LOCK NUT: | HPb59-T Brass |
| 9. HANDLE: | Q235 Chrome Plated and PVC Sleeve |
| 10. NUT: | Stl/Stl (White Zinc Plating) |
| 11. COMPRESSSION NUT: | HPb59-T Brass |
| 12. OLIVE: | H62 Brass |
| 13. GASKET: | PTFE |

CONNECTION

Compression x Compression (EN1254-2)

DIMENSIONS (mm)

| SIZE | | 15mm | 22mm | 28mm | | | |
|-----------|--|------------|------------|------------|--|--|--|
| CODE | | CP89TY-C15 | CP89TY-C22 | CP89TY-C28 | | | |
| A | | 70.5 | 82 | 91 | | | |
| B | | 26 | 29 | 30 | | | |
| C | | 20 | 22 | 24 | | | |
| ØD | | 14.5 | 19 | 24.5 | | | |
| E | | 15 | 22 | 28 | | | |
| F | | 40 | 43.5 | 52 | | | |
| G | | 52 | 52 | 62 | | | |
| PN | | 25 | 25 | 25 | | | |
| Kv | | | | | | | |
| WEIGHT(g) | | 220 | 325 | 545 | | | |
| PACKING | | 12/48 | 9/36 | 6/24 | | | |